

Dimensions VPC

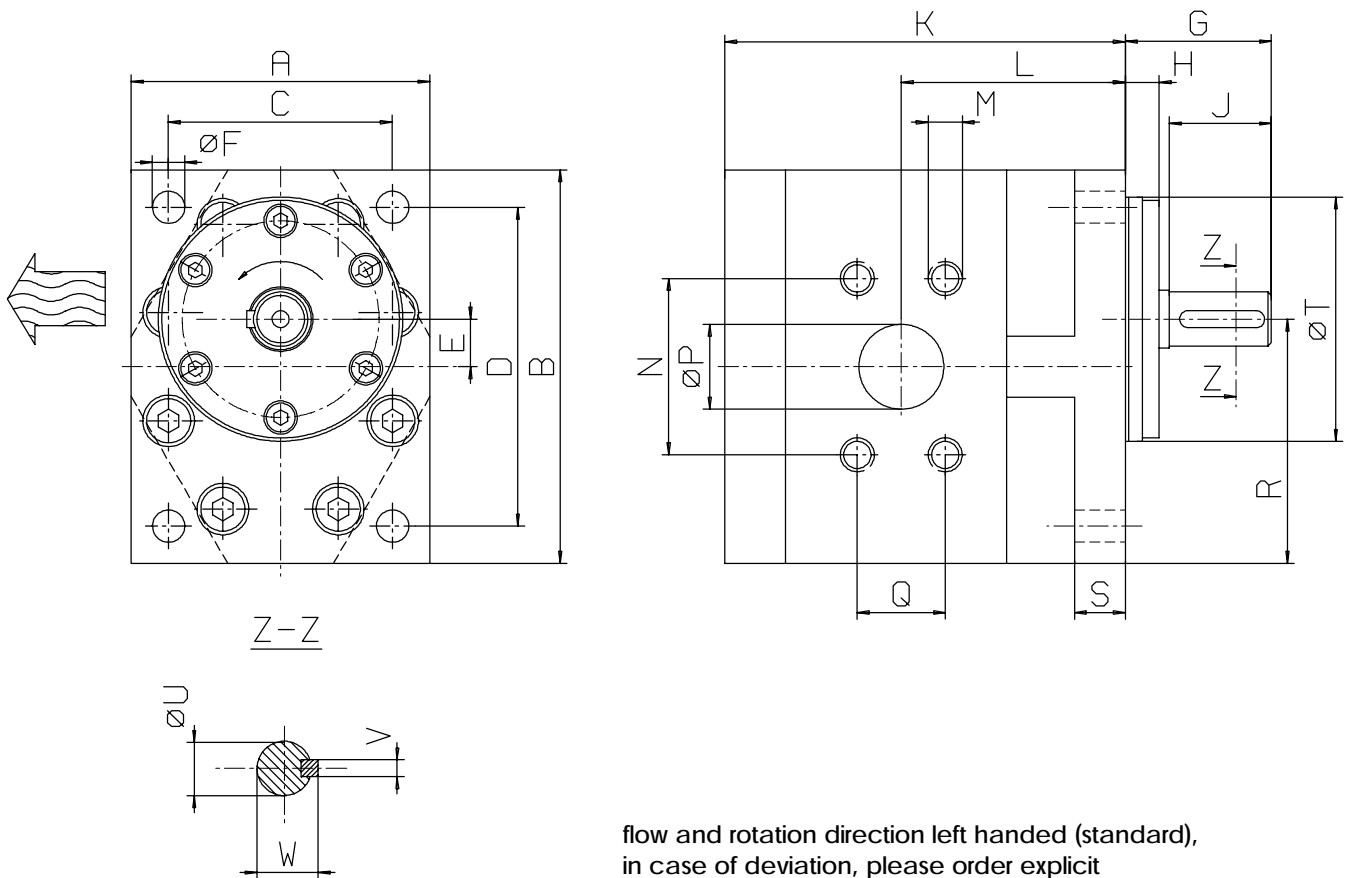
with single mechanical seal

variopumps

03.12.1996

11.01.000.021.0e Rev. 0

page 1 / 1



flow and rotation direction left handed (standard),
in case of deviation, please order explicit

dim/pp-size	VPC-1,28	VPC-2,78	VPC-4,7	VPC-10,2	VPC-25,6	VPC-46,3
A	74	74	74	88	100	116
B	96	96	96	116	136	161
C	54	54	54	66	74	88
D	76	76	76	94	110	133
E	11	11	11	14	18	22,5
$\varnothing F$	9,5	9,5	9,5	9,5	10,5	14
G	33	33	33	43	46	56
H	10	10	10	10	12	12
J	20	20	20	30	30	40
K	86	93	102	118	141	168
L	51,5	53,5	58	66	78	91,5
M	M8	M8	M8	M10	M12	M12
N	48	48	48	52	70	78
$\varnothing P$	20	20	20	25	40	50
Q	22	22	22	26	36	42
R	59	59	59	72	86	103
S	14	14	14	15	15	17
$\varnothing T$	58h6	58h6	58h6	72h6	80h6	100h6
$\varnothing U$	11k5	11k5	11k5	16k5	19k5	24k5
V	4h9	4h9	4h9	5h9	6h9	8h9
W	12,5	12,5	12,5	18	21,5	27

right to modify reserved

Dimensions VPC

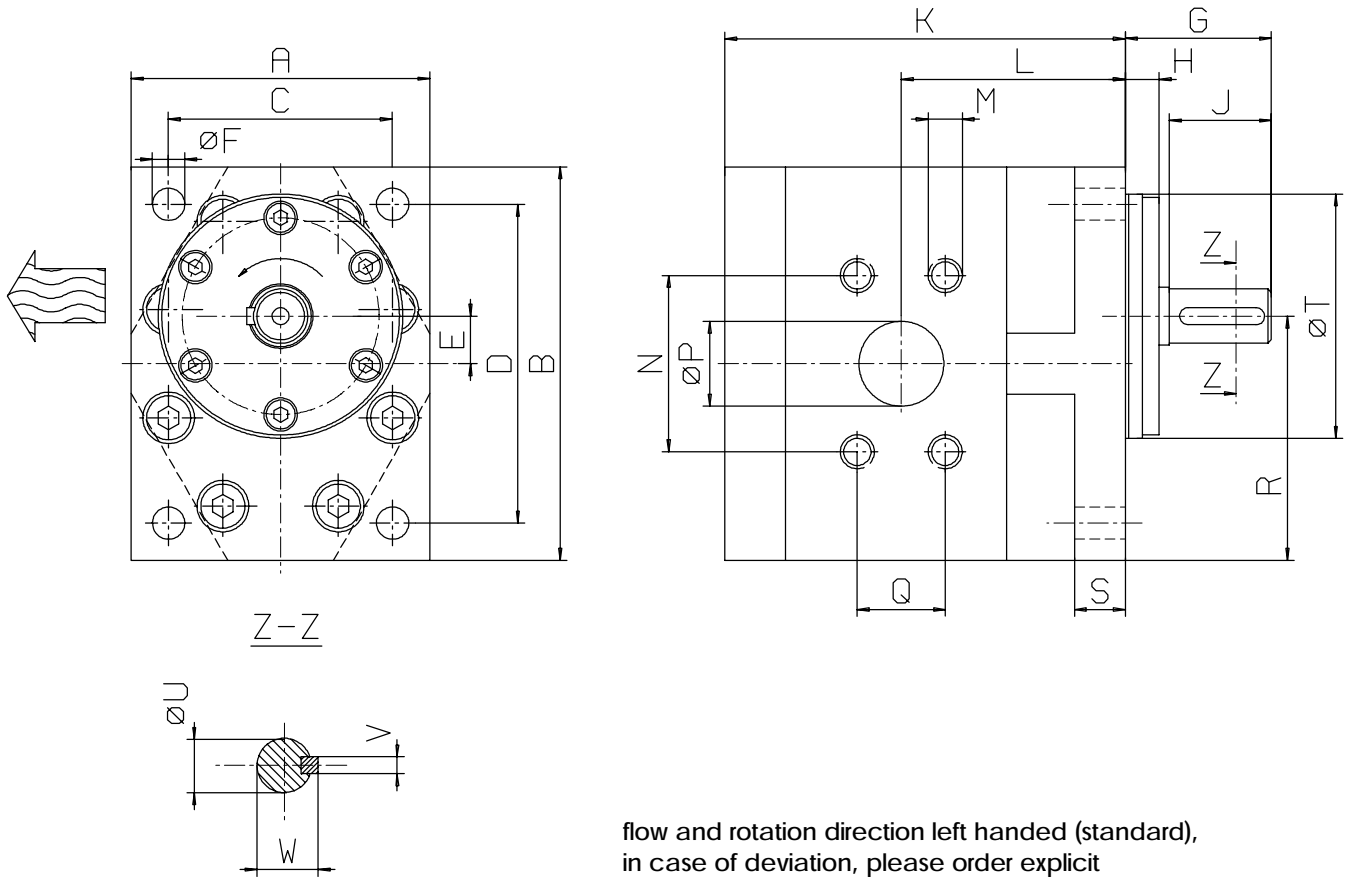
with single mechanical seal

variopumps

03.12.1996

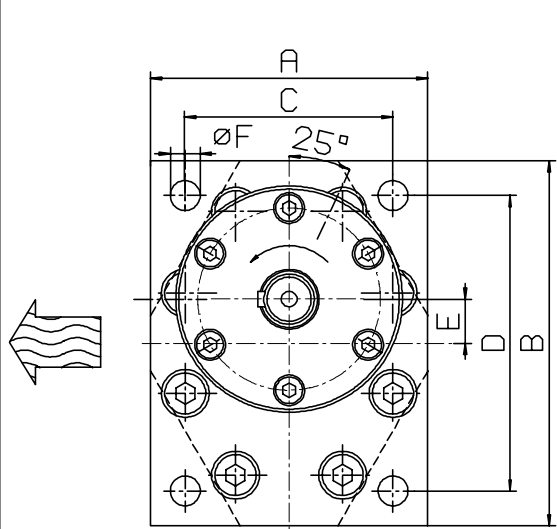
11.01.000.021.1e Rev. 0

page 1 / 1

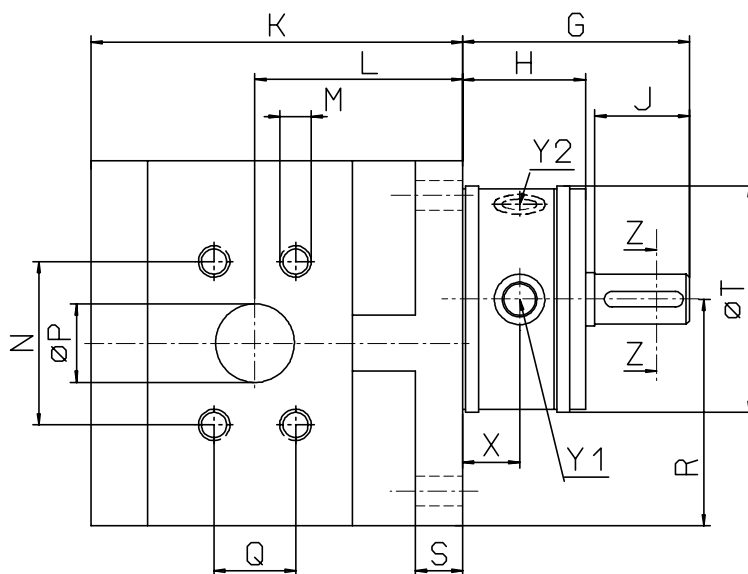
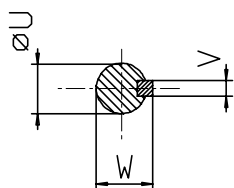


flow and rotation direction left handed (standard),
in case of deviation, please order explicit

dim./PP-size	VPC-92,6	VPC-176			
A	142	170			
B	198	240			
C	106	132			
D	162	202			
E	28	35			
$\varnothing F$	18	18			
G	83	93			
H	18	18			
J	60	70			
K	204	244			
L	113	132			
M	M16	M20			
N	83,5	102,5			
$\varnothing P$	50	65			
Q	83,5	102,5			
R	127	155			
S	25	25			
$\varnothing T$	118h6	150h6			
$\varnothing U$	32k5	38k5			
V	10h9	10h9			
W	35	41			



Z-Z



flushing connection:

Y1: Inlet (G1/8")

Y2: Outlet (G1/8")

flow and rotation direction left handed (standard),
in case of deviation, please order explicit!

dim./PP-size	VPC-1,28	VPC-2,78	VPC-4,7	VPC-10,2	VPC-25,6	VPC-46,3
A	74	74	74	88	100	116
B	96	96	96	116	136	161
C	54	54	54	66	74	88
D	76	76	76	94	110	133
E	11	11	11	14	18	22,5
øF	9,5	9,5	9,5	9,5	10,5	14
G	60	60	60	72	79	94
H	37	37	37	39	45	50
J	20	20	20	30	30	40
K	86	93	102	118	141	168
L	51,5	53,5	58	66	78	91,5
M	M8	M8	M8	M10	M12	M12
N	48	48	48	52	70	78
øP	20	20	20	25	40	50
Q	22	22	22	26	36	42
R	59	59	59	72	86	103
S	14	14	14	15	15	17
øT	58h6	58h6	58h6	72h6	80h6	100h6
øU	11k5	11k5	11k5	16k5	19k5	24k5
V	4h9	4h9	4h9	5h9	6h9	8h9
W	12,5	12,5	12,5	18	21,5	27
X	18	18	18	18	18	18

Dimensions VPC

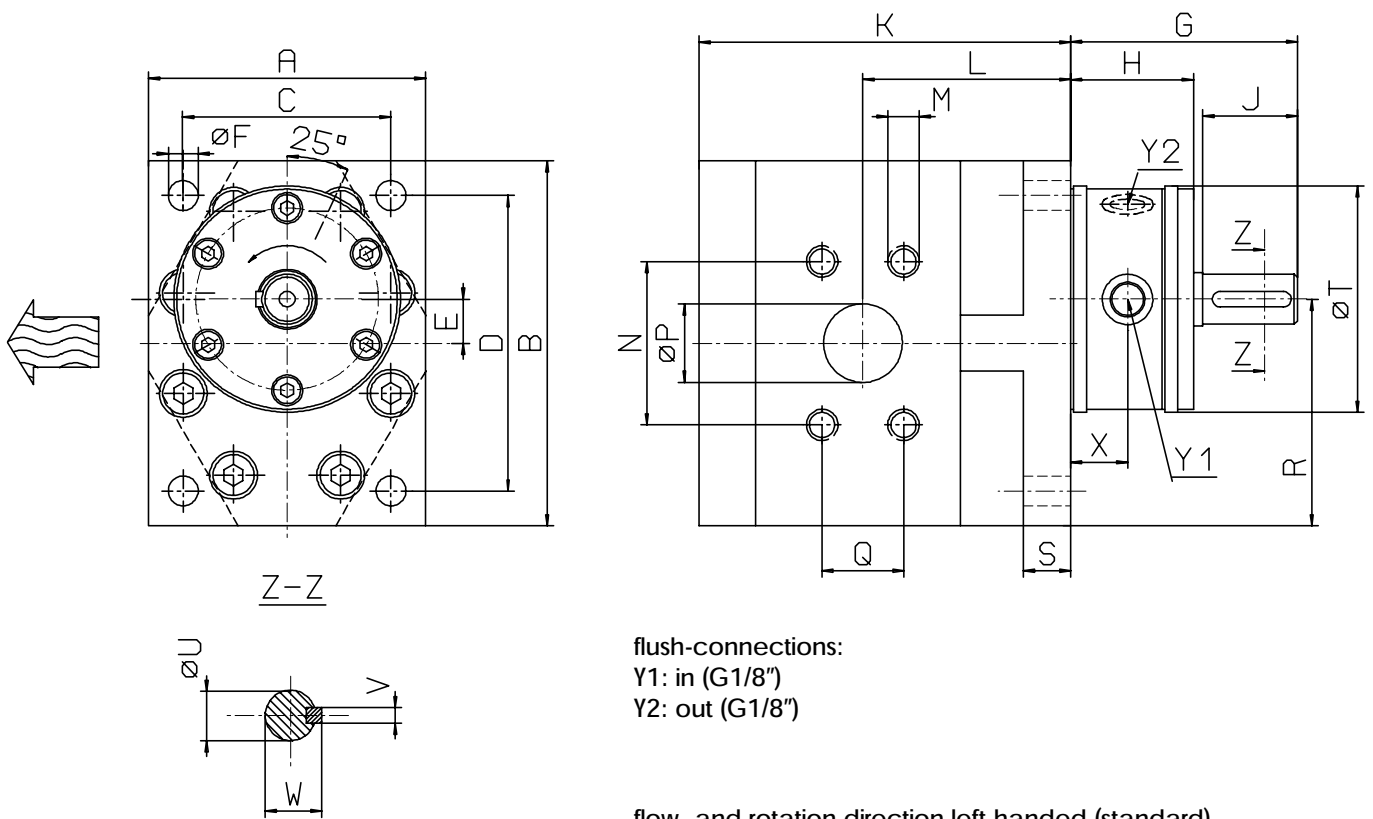
with double mechanical seal

variopumps

16.06.1999

11.01.000.022.1e Rev. 0

page 1 / 1



flush-connections:

Y1: in (G1/8")

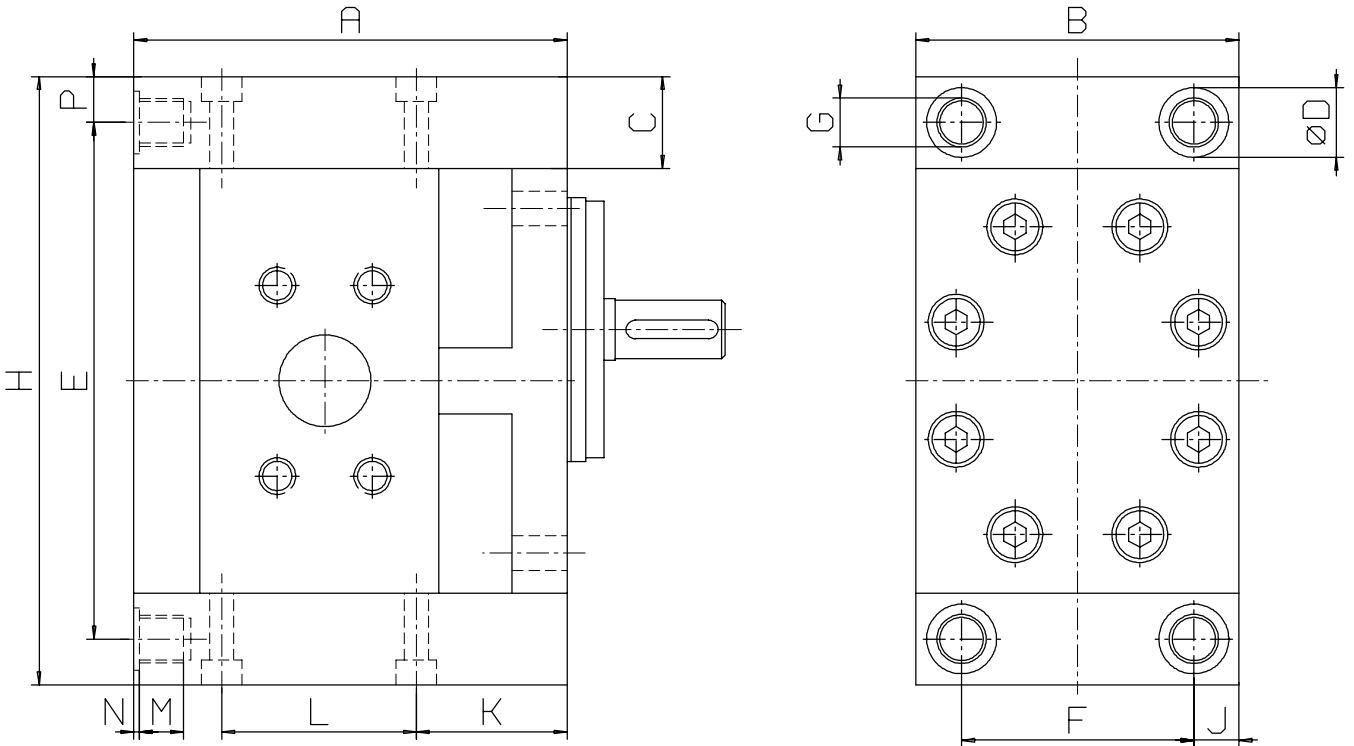
Y2: out (G1/8")

flow- and rotation direction left handed (standard)
in case of deviation, please order explicit

dim./PP-size	VPC-92.6	VPC-176			
A	142	170			
B	198	240			
C	106	132			
D	162	202			
E	28	35			
ϕF	18	18			
G	127	143			
H	63	68			
J	60	70			
K	204	244			
L	113	132			
M	M16	M20			
N	83,5	102,5			
ϕP	50	65			
Q	83,5	102,5			
R	127	155			
S	25	25			
ϕT	118h6	150h6			
ϕU	32k5	38k5			
V	10h9	10h9			
W	35	41			
X	18	18			

Dimensions VPC

with heating plates for fluid or steam heating



Depending on installation, please notice:

- a) steam heating : intake at highest point
- b) fluid heating : intake at lowest point

dim./pp-size	VPC-1,28	VPC-2,78	VPC-4,7	VPC-10,2	VPC-25,6	VPC-46,3
A	86	93	102	118	141	168
B	74	74	74	88	100	116
C	25	25	25	25	25	25
øD	19	19	19	19	19	19
E	121	121	121	141	161	186
F	51	51	51	63	72	88
G	G1/4"	G1/4"	G1/4"	G1/4"	G1/4"	G1/4"
H	146	146	146	166	186	211
J	11,5	11,5	11,5	12,5	14	14
K	38	38	38	41	45	49
L	27	34	43	53	69	88
M	12	12	12	12	12	12
N	1,5	1,5	1,5	1,5	1,5	1,5
P	12,5	12,5	12,5	12,5	12,5	12,5

Dimensions VPC

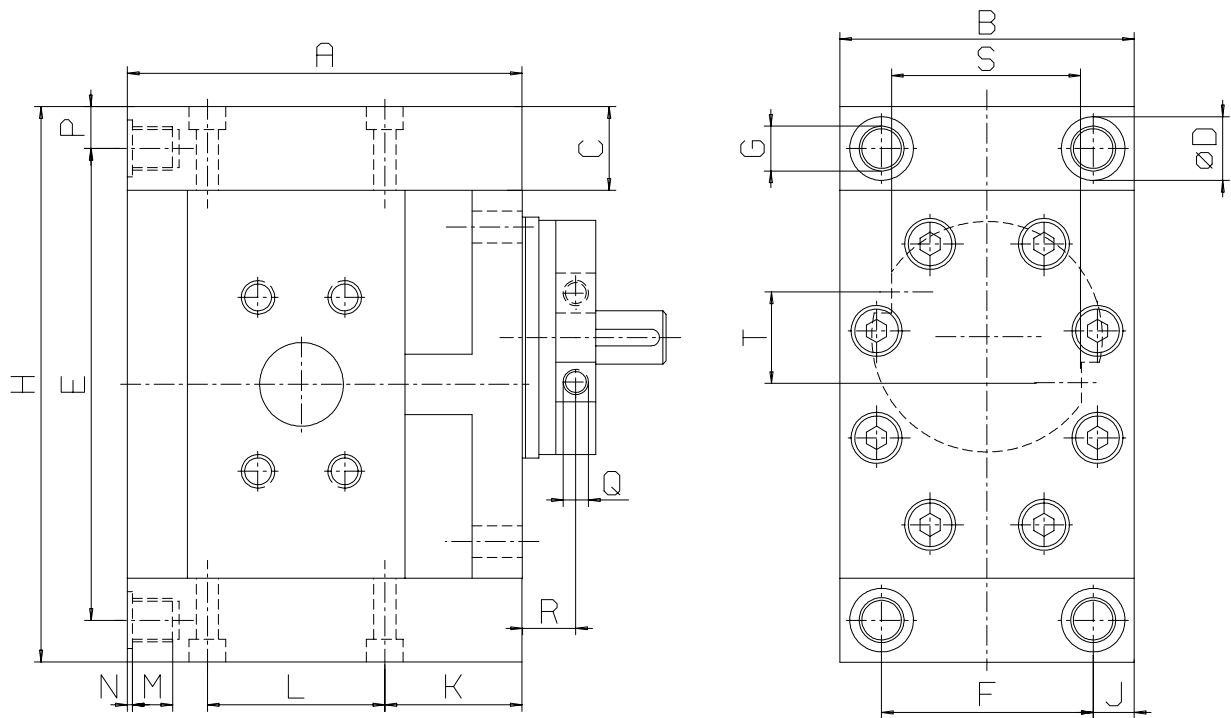
with heating plates for fluid or steam heating

variopumps

28.06.1999

11.01.000.041.1e Rev. 2

page 1 / 1



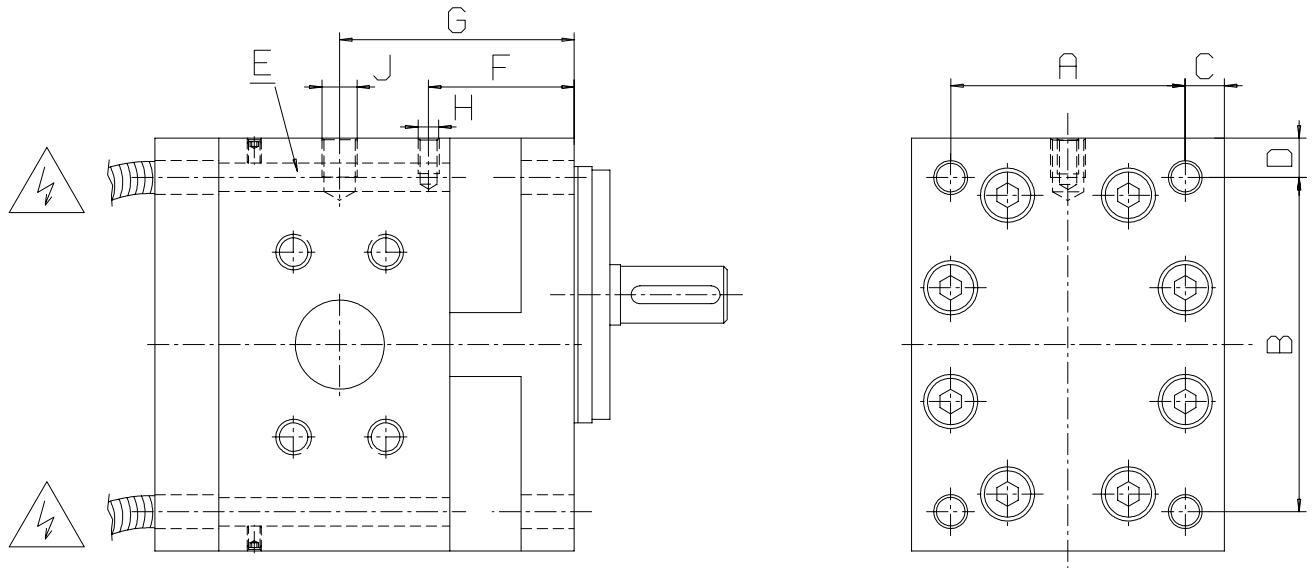
Depending on installation, please notice:

- a) steam heating
- b) fluid heating

- : intake at highest point
- : intake at lowest point

dim./PP-size	VPC-92,6	VPC-176		
A	204	244		
B	142	170		
C	25	25		
D	19	19		
E	223	265		
F	114	142		
G	G1/4"	G1/4"		
H	248	290		
J	14	14		
K				
L				
M	12	12		
N	1,5	1,5		
P	12,5	12,5		
Q	G1/8"	G1/8"		
R	27	27		
S	90	130		
T	50	55		
øU				
V				
W				
X				

right to modify reserved



E: High capacity heating cartridges with glasseidenisolierter Reinnickellitze and high-grade steel protection tube (length: 500 mm).
Electrical connection: 230 V / 50 Hz

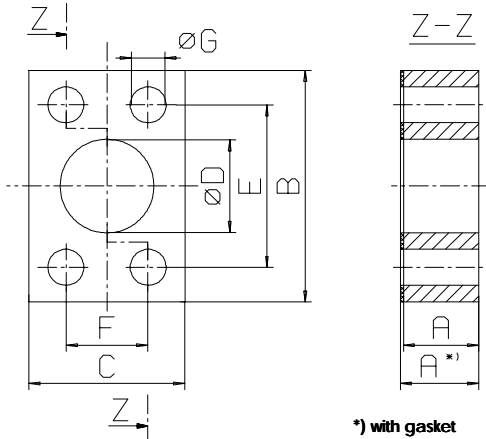
H: Earth

J: !!!Thermofühler drill

dim./PP-size	VPC-1,28	VPC-2,78	VPC-4,7	VPC-10,2	VPC-25,6	VPC-46,3
A	54	54	54	66	74	88
B	76	76	76	94	110	133
C	10	10	10	11	13	14
D	10	10	10	11	13	14
E(el.capacity)	4 x 100 W	4 x 100 W	4 x 125 W	4 x 200 W	4 x 500 W	4 x 800 W
F	38	38	38	41	45	67
G	51,5	55	59,5	67,5	79,5	93
H	M6	M6	M6	M6	M6	M6
J	G 1/8"	G 1/8"	G 1/8"	G 1/8"	G 1/8"	G 1/8"

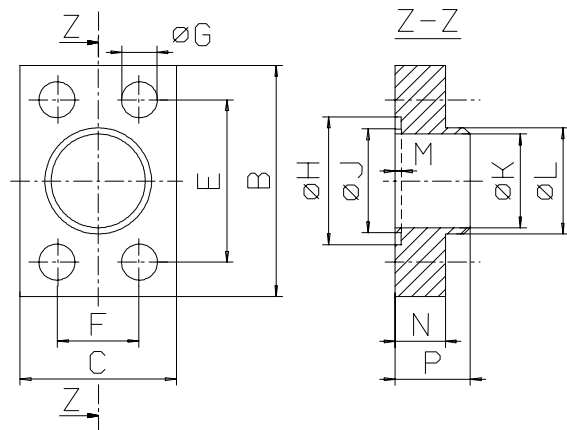
right for enquiry reserved

Type A

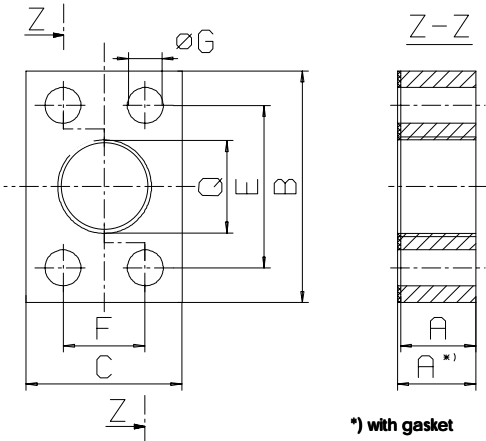


*) with gasket

Type B (with welding end and O-ring**)

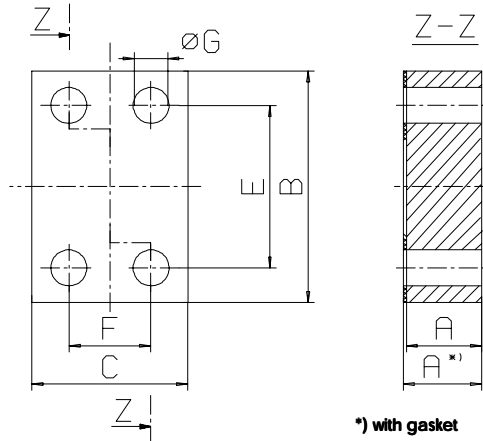


Type C (with thread)



*) with gasket

Type D (blank flange)

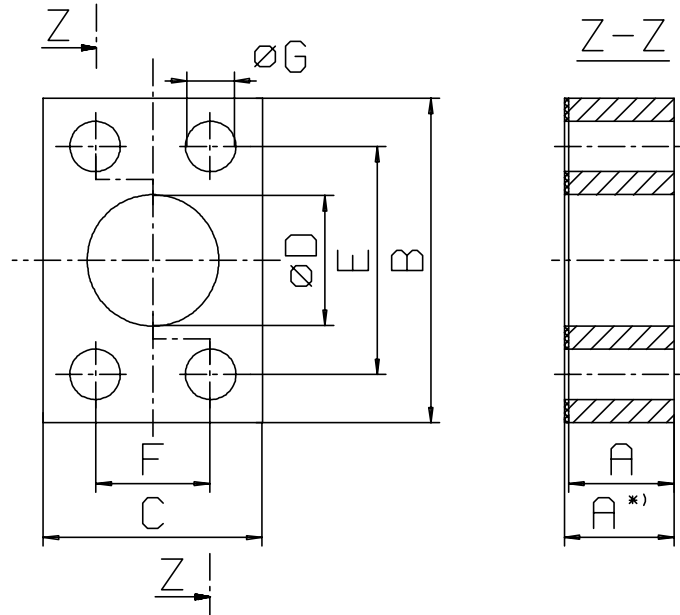


*) with gasket

dim ./PP-size	VPC-1,28	VPC-2,78	VPC-4,7	VPC-10,2	VPC-25,6	VPC-46,3
A	18	18	18	24	24	28
A *)	19	19	19	25	25	29
B	65	65	65	74	94	105
C	40	40	40	50	70	80
øD	25	25	25	30	45	55
E	48	48	48	52	70	78
F	22	22	22	26	36	42
øG	9,5	9,5	9,5	11,5	14	14
øH	32	32	32	41	60	-
øJ	24,2	24,2	24,2	33,2	49,2	-
øK	20	20	20	30	45	-
øL	27	27	27	34	50	-
M	2,2	2,2	2,2	2,2	3,1	-
N	13	13	13	16	16	-
P	18	18	18	24	24	-
Q	G 1/2"	G 1/2"	G 1/2"	G 1/2"	G 3/4"	-
*) with gasket						
***) O-ring	26 x 3,0	26 x 3,0	26 x 3,0	35 x 3,0	52 x 4,0	-

Dimensions VPC

Flange form A (with gasket*)



dim./PP-size	VPC-92,6	VPC-176			
A	23	28			
A*	24	29			
B	120	142			
C	120	142			
ØD	61	77			
E	83,5	102,5			
F	83,5	102,5			
ØG	18	22			

right to modify reserved

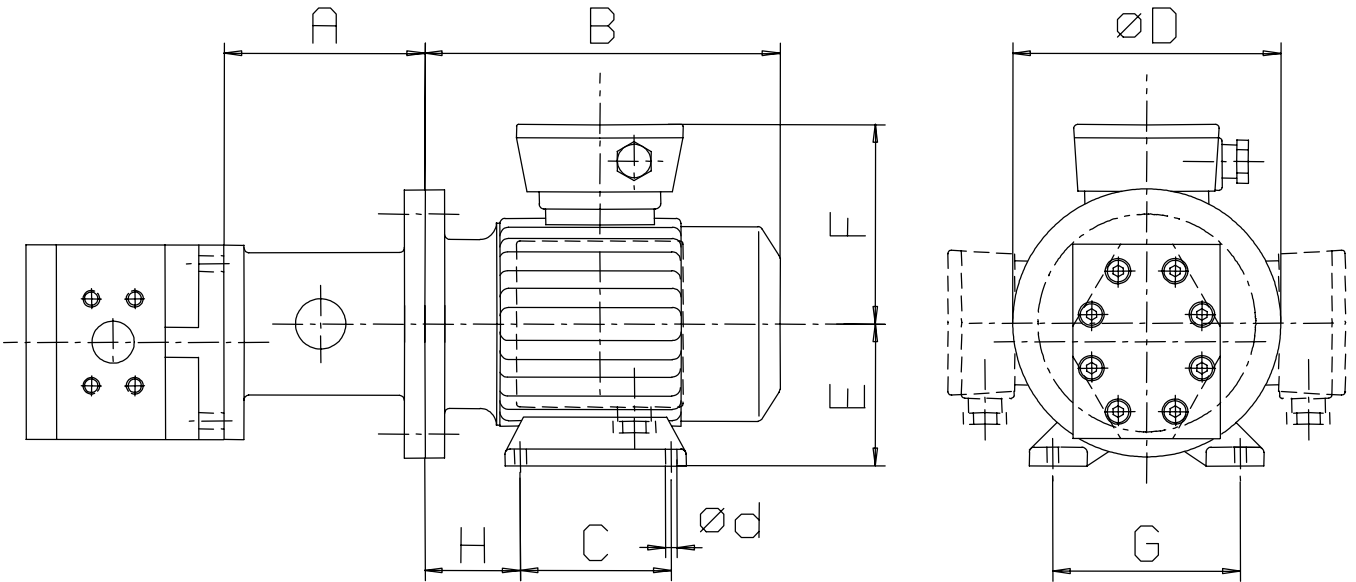
Dimensions VPC

with extension-flange and drive (IM B35/B34)

24.04.2002

11.01.000.031.0e Rev. 1

page 1 / 1

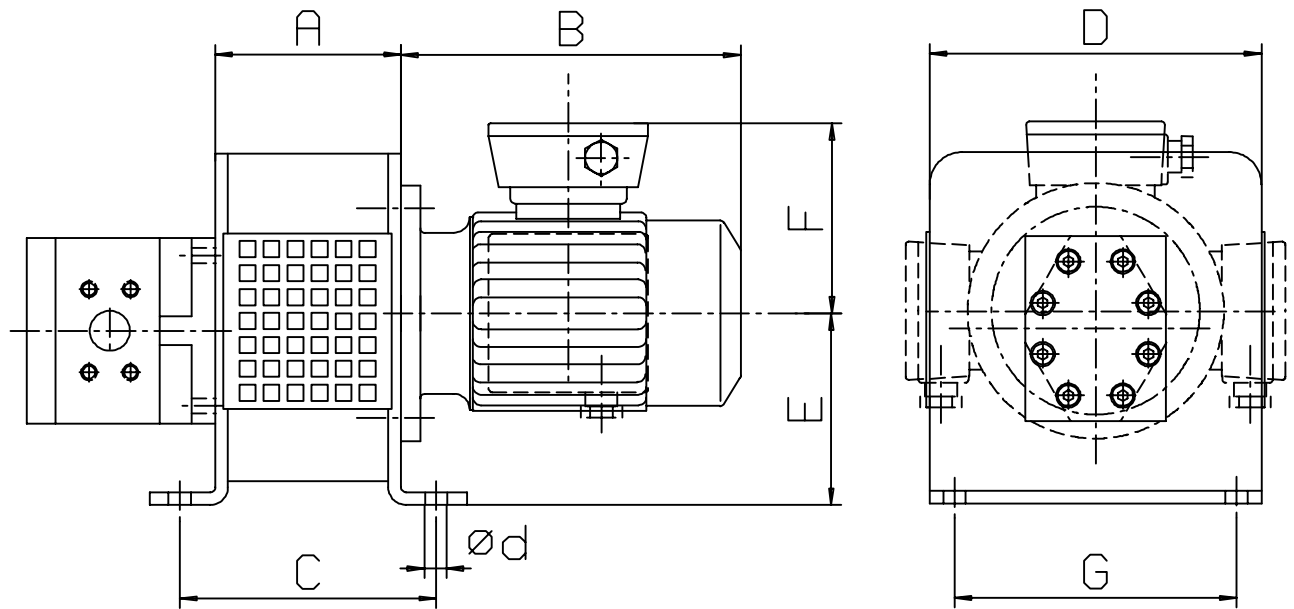


dim./fl.-size	L 140	L 160	L 200	L 250		
øD	140	160	200	250		
A	95	110	110	120		
drive						
B						
C						
ød						
E						
F						
G						
H						
pump-size	1,28	1,28	10,2	25,6		
	2,78	2,78		46,3		
	4,7	4,7				
		10,2				

right to modify reserved

Dimensions VPC

with stand and drive (IM B5/B14)



dim ./fl.-s size	S 140	S 185	S 260		
A	140	185	260		
C	200	245	335		
ød	14	14	22		
D	205	205	355		
E	145	145	210		
G	175	175	310		
drive					
B					
F					

right to modify reserved